

NEW

PEDROLLO[®]
... the spring of life



TOP MULTI[®] II

Multi-stage submersible pump for clear water

RANGE OF PERFORMANCE

Flow rate up to 80 l/min (4.8 m³/h)
Head up to 38 m

LIMITS OF USE

Submersion depth up to 10 m
Liquid temperature up to + 40°C
Emptying level up to 22 mm from the bottom

CONSTRUCTION AND SAFETY STANDARDS

EN 60 335-1 EN 60034-1
IEC 335-1 IEC 34-1
CEI 61-150 CEI 2-3

INSTALLATION AND USE

They are recommended for pumping clean water and liquids that are chemically non aggressive to the materials from which the pump is made.

Their high efficiency and reliability makes them suitable for supplying domestic water from tanks, reservoirs or relatively deep wells, drawing rainwater from cisterns, watering by hand or feeding.

GUARANTEE 2 YEARS subject to our general terms of sale.

CONSTRUCTION CHARACTERISTICS

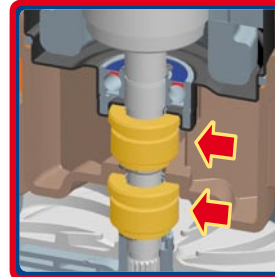
- **PUMP BODY, DELIVERY BODY AND SUCTION GRID:** glass filled **technopolymer**, particularly resistant to impact and corrosion, with threaded port ISO 228/1.
- **IMPELLERS and DIFFUSERS:** **technopolymer**.
- **MOTOR SUPPORT:** **stainless steel AISI 304**.
- **MOTOR SHAFT:** **stainless steel EN 10088-3 - 1.4104**.
- **DOUBLE MECHANICAL SEAL:** **alumina - silicon carbide - NBR** pump side and **alumina - graphite - NBR** motor side, with oil barrier chamber to protect the seal in the event of dry running.
- **MOTOR:** asynchronous, for continuous duty.
TOP MULTI II: single-phase 220÷230 V - 50 Hz with capacitor and thermal overload protector.
- **INSULATION:** class F.
- **PROTECTION:** IP 68.
- **REGISTERED COMMUNITY DESIGN.**

STANDARD FEATURES:

TOP MULTI® II: Float switch.
Neoprene power cable "H07 RN-F" length 10 metres with Schuko plug.
Hosetail.
Coupling with non-return valve.

OPTIONS ON REQUEST

- other voltages or 60 Hz frequency



Double mechanical seal increases the safety and life of the pump



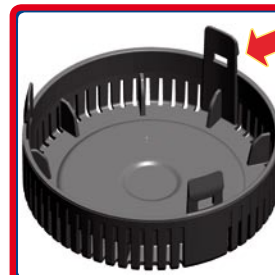
Built-in thermal overload protector prevents the motor from overheating



Float switch with adjustable cable length permits the regulation of the pump start-up/cut-off



Check valve: prevents the hose from draining when the pump is switched off



Removable grill facilitates the cleaning of the filter

Two sets of fittings included



Hose fitting



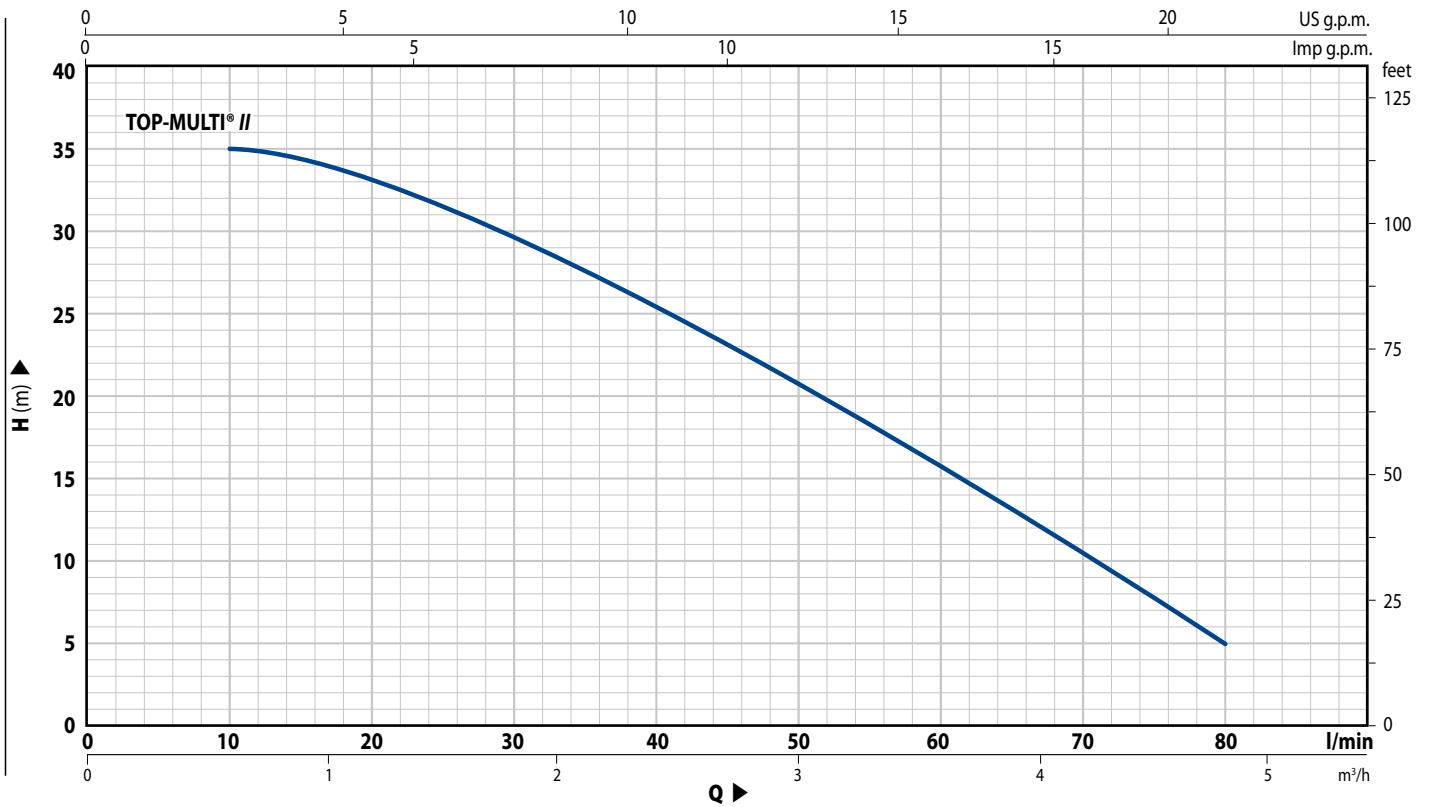
Coupling with check valve



Possible to use with **EASYPRESS®**

CURVES AND PERFORMANCE DATA

n = 2900 1/min

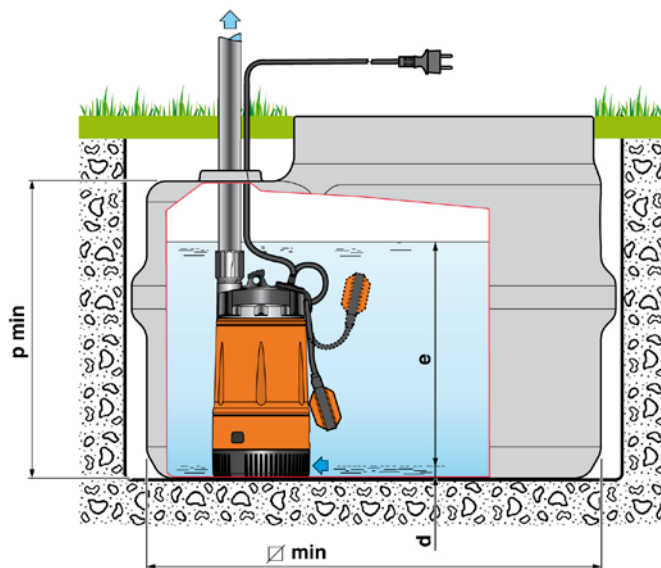
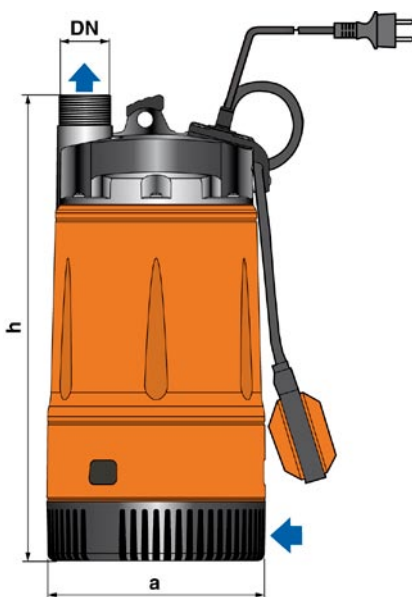


MODEL 1 ~	POWER		Q m³/h l/min	0	0.6	1.2	1.8	2.4	3.0	3.6	4.2	4.8
	kW	HP		0	10	20	30	40	50	60	70	80
TOP-MULTI® II	0.55	0.75	H (m)	38	35	33	29	25	20	15.5	10	5

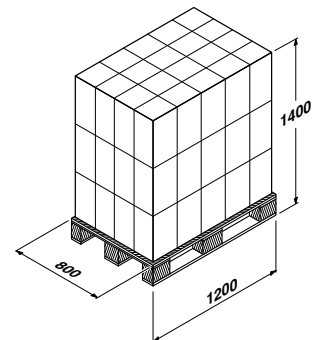
Q = Flow rate H = Total manometric head

Tolerance of the performance curves to EN ISO 9906 App. A.

DIMENSIONS AND WEIGHTS



Palletization
20 x 3 = 60 pz. / pcs.



MODEL 1 ~	PORT DN	N° STAGES	DIMENSIONS mm						Kg
			a	h	d	e	p	∅	
TOP-MULTI® II	1 1/4"	3	178	380	22	adjustable	500	500	8.4



The features and specifications herein stated are in no way binding for the manufacturer. The manufacturer is free to modify the product at any time without previous notice.



PEDROLLO
... the spring of life

Pedrollo S.p.A. - Via Enrico Fermi, 7 - 37047 - San Bonifacio (Verona) ITALY
tel. +39 045 6136311 - fax +39 045 7614663 - sales@pedrollo.com - www.pedrollo.com

Cod. 432072008