

NEW

PEDROLLO[®]
... the spring of life



MK

Vertical multistage pumps

PERFORMANCE RANGE

MK 3: Flow rate up to **80 l/min** (4.8 m³/h)
Head up to **100 m**

MK 5: Flow rate up to **120 l/min** (7.2 m³/h)
Head up to **103 m**

LIMITS OF USE

Manometric suction lift up to 7 m
Liquid temperature up to + 40°C
Environment temperature up to + 40°C

CONSTRUCTION AND SAFETY STANDARDS

EN 60 335-1
IEC 335-1
CEI 61-150

EN 60034-1
IEC 34-1
CEI 2-3



INSTALLATION AND USE

They are recommended for pumping clean water and liquids that are chemically non aggressive to the materials from which the pump is made.

Their high efficiency and adaptability to the most varied, even unusual applications, make them the ideal choice in the domestic, civil and industrial field; in particular for distributing water in combination with pressure sets, for increasing pressure in the mains, for firefighting sets.

The pumps must be installed in enclosed places, or at least protected against inclement weather.

TWO-YEAR WARRANTY in accordance with our General Terms of Sale.

CONSTRUCTION CHARACTERISTICS

- **PUMP BODY:** cast iron and AISI 304 stainless steel, with threaded ports ISO 228/1.
- **IMPELLERS AND DIFFUSERS:** technopolymer (approved for drinking water).
- **DIAPHRAGMS:** AISI 304 stainless steel, complete with anti-wear rings.
- **MOTOR SHAFT:** EN 10088-3 - 1.4104 stainless steel
- **MECHANICAL SEAL:** ceramic - graphite - NBR.
- **ELECTRIC MOTOR:** the pumps are close-coupled to a carefully matched PEDROLLO electric motor, quiet running, totally enclosed fan cooled (TEFC), suitable for continuous duty.
- **MKm:** single-phase 230 V - 50 Hz with thermal overload protector built into the windings.
- **MK:** three-phase 230/400 V - 50 Hz.
- **INSULATION:** class F.
- **PROTECTION:** IP 44.

OPTIONS AVAILABLE ON REQUEST

⇒ Other voltages or 60 Hz frequency.

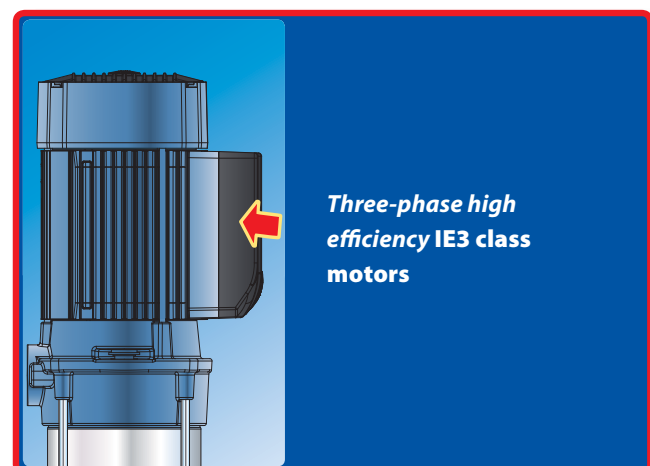


Sturdy and compact structure designed for use in pressure sets

Use with **TISEL**

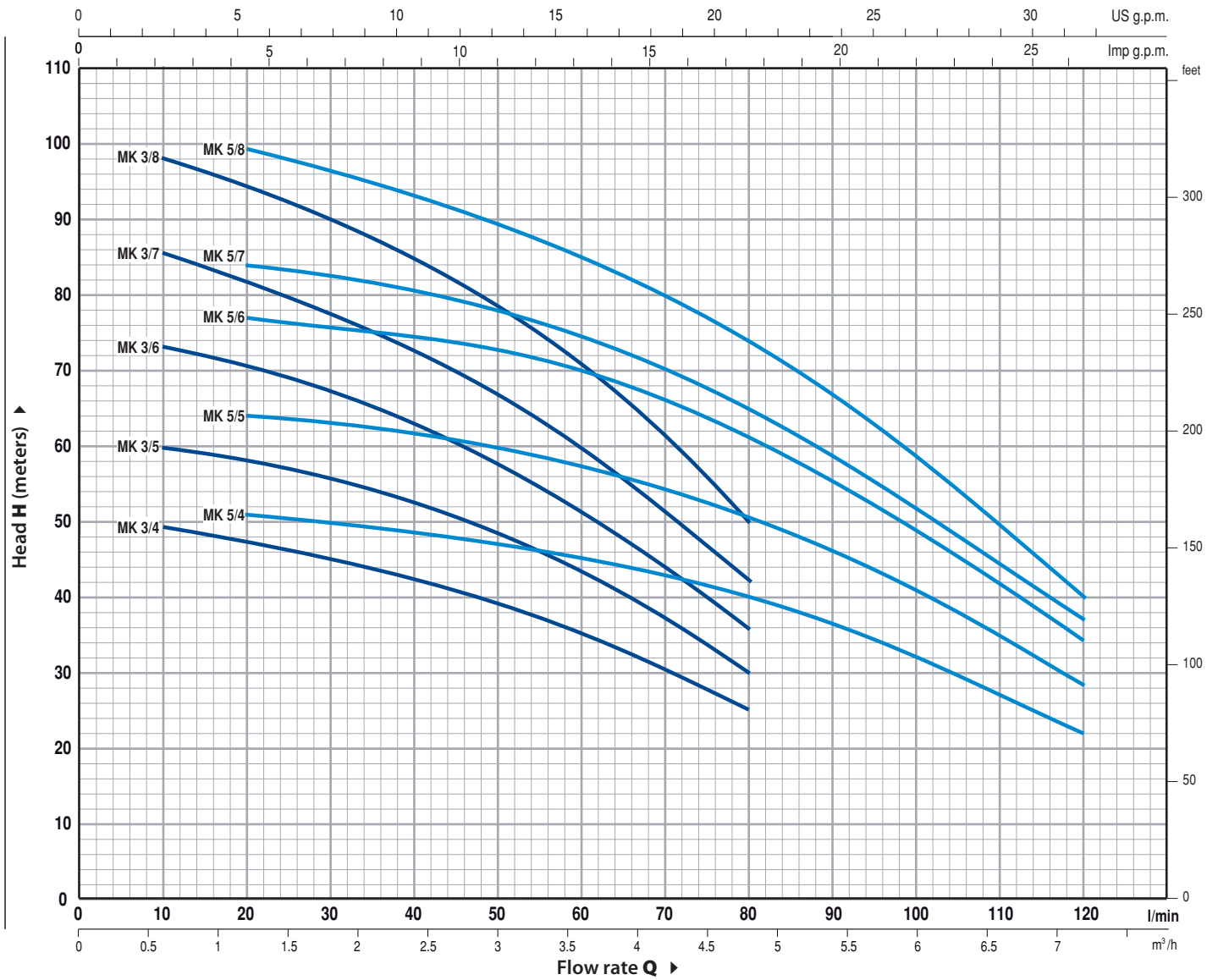


Suction and delivery ports suitable for both threaded and flanged coupling



Three-phase high efficiency IE3 class motors

CURVES AND PERFORMANCE DATA AT n= 2900 1/min

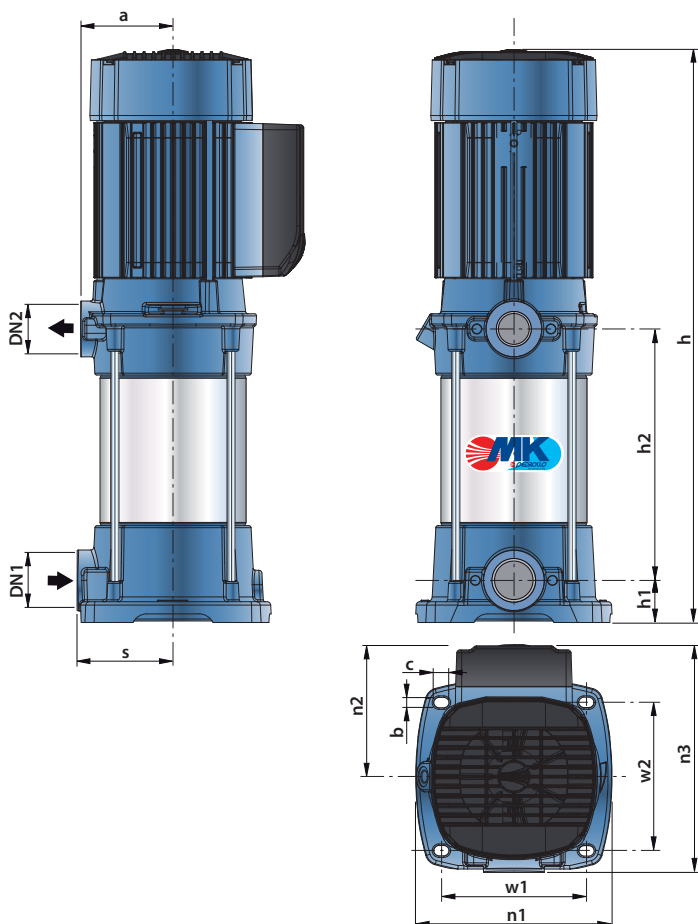


TYPE		POWER		Q m³/h l/min	H meters													
Single-phase	Three-phase	kW	HP		0	0.6	1.2	1.8	2.4	3.0	3.6	4.2	4.8	5.4	6.0	6.6	7.2	
				0	10	20	30	40	50	60	70	80	90	100	110	120		
MKm 3/4	MK 3/4	0.75	1	50	49	47	45	42.5	39	35	30.5	25	-	-	-	-		
MKm 3/5	MK 3/5	0.75	1	62	60	58.5	56	52.5	48.5	43.5	37	30	-	-	-	-		
MKm 3/6	MK 3/6	1.1	1.5	75	73	70	67	62.5	58	51.5	44	36	-	-	-	-		
MKm 3/7	MK 3/7	1.1	1.5	88	85	81.5	77.5	73	67	59.5	50.5	42	-	-	-	-		
MKm 3/8	MK 3/8	1.5	2	100	98	94	90	85	78.5	70.5	61.5	50	-	-	-	-		
MKm 5/4	MK 5/4	1.1	1.5	53	-	51	49.5	48	46.5	45	42.5	40	36	32	27	22		
MKm 5/5	MK 5/5	1.5	2	67	-	64	62.5	61	59.5	57.5	54	51	46	41.5	35	29		
MKm 5/6	MK 5/6	1.8	2.5	80	-	77	75.5	74	72	70	66.5	61	55	49	41.5	34		
MKm 5/7	MK 5/7	2.2	3	87	-	84	82	80	77.5	75	70	64.5	58	51.5	44	37		
MKm 5/8	MK 5/8	2.2	3	103	-	99	96	93	89	85	80	74.5	66.5	58.5	49	40		

Q = Flow rate H = Total manometric head

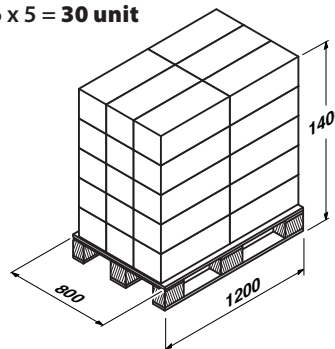
Performance curve tolerance values as per EN ISO 9906 App. A.

DIMENSIONS AND WEIGHTS



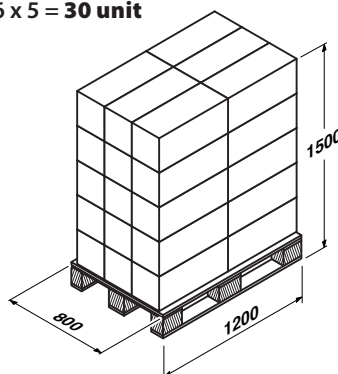
PALLETIZATION

6 x 5 = 30 unit



MKm 3/4; MK 3/4
MKm 3/5; MK 3/5
MKm 3/6; MK 3/6
MKm 3/7; MK 3/7

6 x 5 = 30 unit



MKm 3/8; MK 3/8
MKm 5/4; MK 5/4
MKm 5/5; MK 5/5
MKm 5/6; MK 5/6
MKm 5/7; MK 5/7
MKm 5/8; MK 5/8

TYPE		PORTS		N° stages	DIMENSIONS mm											kg	
Single-phase	Three-phase	DN1	DN2		a	s	h	h1	h2	w1	w2	n1	n2	n3	b	c	1~
MKm 3/4	MK 3/4	1 1/4"	1"	4	91	94.5	41.5	152	143	146	194	109.5	204	9.5	14.5	20.0	19.6
MKm 3/5	MK 3/5			5				176								20.8	20.3
MKm 3/6	MK 3/6			6				220								21.1	21.6
MKm 3/7	MK 3/7			7				224								21.8	22.3
MKm 3/8	MK 3/8			8				248								26.6	25.6
MKm 5/4	MK 5/4			4				152								22.3	21.6
MKm 5/5	MK 5/5			5				176								24.3	23.4
MKm 5/6	MK 5/6			6				200								25.8	25.0
MKm 5/7	MK 5/7	7	224	27.3	26.6												
MKm 5/8	MK 5/8	8	248	28.0	27.3												



Pedrollo S.p.A. - Via Enrico Fermi, 7 - 37047 - San Bonifacio (Verona) ITALY
tel. +39 045 6136311 - fax +39 045 7614663 - sales@pedrollo.com - www.pedrollo.com