

NEW

PEDROLLO[®]
... the spring of life



DHL

Domestic circulators suitable for heating and conditioning installations

PERFORMANCE RANGE

Flow rate up to 5.2 m³/h
Head up to 7 m

LIMITS OF USE

Temperature of the liquid from -10°C to +110°C (TF 110 class)
Environment temperature up to +55 °C (+35 °C per DHL 25/70 - 32/70)
Maximum working pressure 10 bar (PN 10)
Maximum percentage of glycol 50%
The rotor shaft must be used horizontally

CONSTRUCTION AND SAFETY STANDARDS

EN 60 335-1
IEC 335-1
CEI 61-150



INSTALLATION AND USE

They are recommended for pumping clean water and liquids that are chemically non aggressive to the materials from which the circulator is made.

They have three speeds, selected using a knob, and are suitable for the circulation of both hot and cold water.

The pumps must be installed in enclosed places, or at least protected against inclement weather.

TWO-YEAR WARRANTY in accordance with our General Terms of Sale.

CONSTRUCTION CHARACTERISTICS

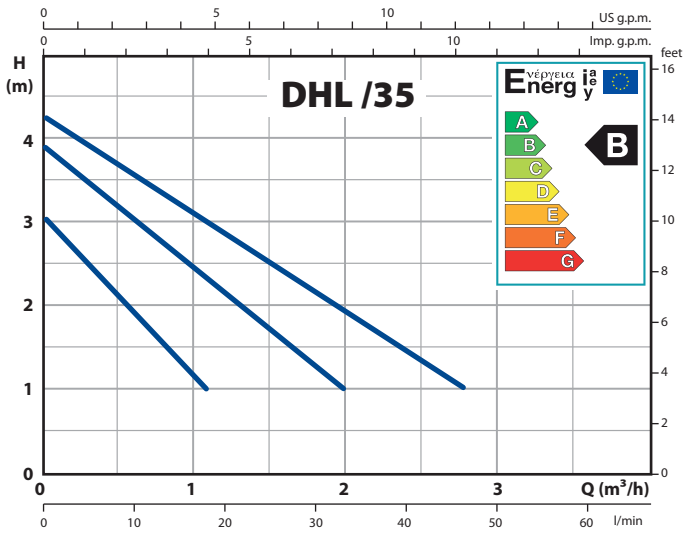
- PUMP BODY: cast iron
- IMPELLERS: technopolymer
- GASKETS: EPDM
- ELETTRIC MOTOR: single-phase 230 V - 50 Hz with thermal over-load protector built
- INSULATION: class H.
- PROTECTION: IP 44.

DESCRIPTION

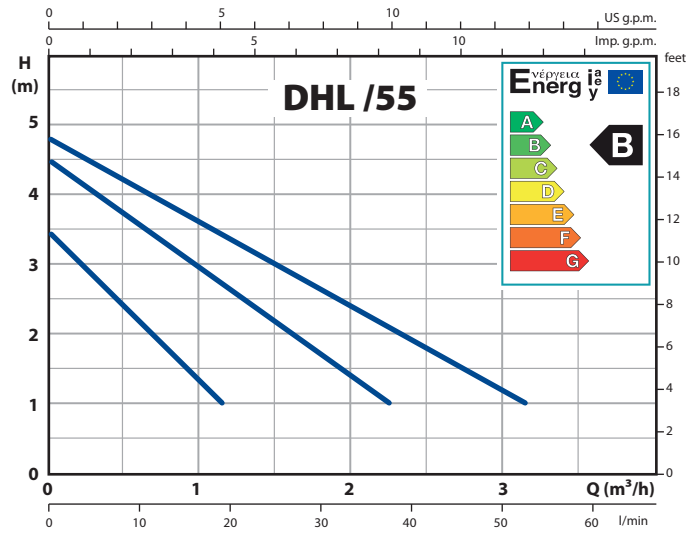
	DHL	25 / 35	130
Series	DHL 25/35 - 130		
DN pipe unions	25 / 35 - 130		
Max. nominal head in dm	25 / 35 - 130		
Assembly distances in mm	25 / 35 - 130		



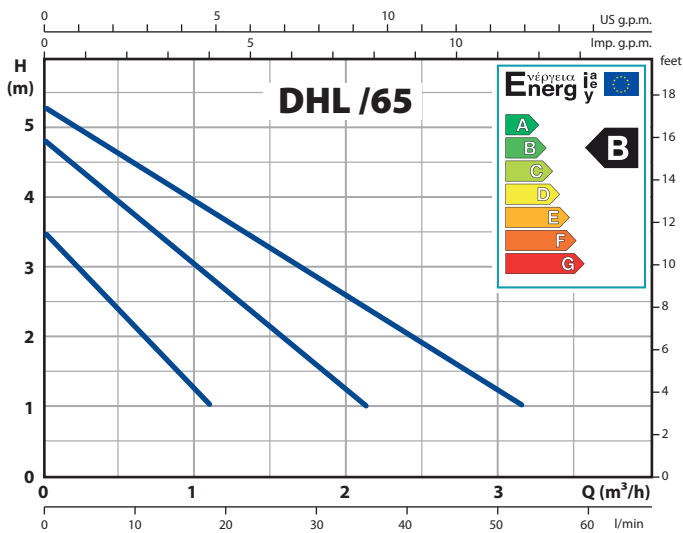
CURVES AND PERFORMANCE DATA 50Hz



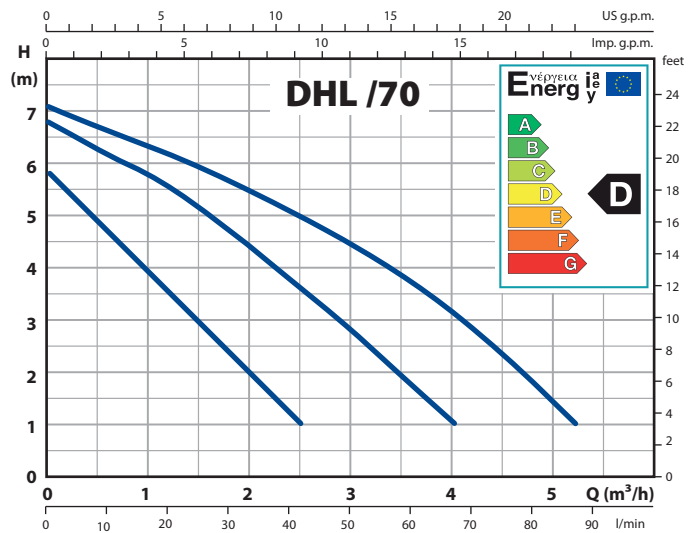
TYPE	Speed	rpm	P1 (W)	In (A)
single-phase 230 V - 50 Hz				
DHL 25/35	3	2300	48	0.21
	2	1950	46	0.20
	1	1400	34	0.15



TYPE	Speed	rpm	P1 (W)	In (A)
single-phase 230 V - 50 Hz				
DHL 25/55	3	2350	52	0.23
	2	1900	46	0.20
	1	1350	36	0.16

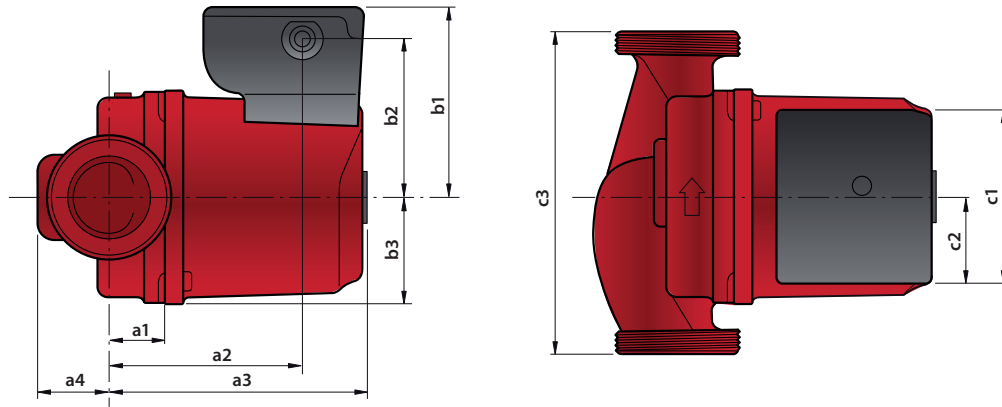


TYPE	Speed	rpm	P1 (W)	In (A)
single-phase 230 V - 50 Hz				
DHL 25/65	3	2200	62	0.27
	2	1800	58	0.25
	1	1300	38	0.16



TYPE	Speed	rpm	P1 (W)	In (A)
single-phase 230 V - 50 Hz				
DHL 25/70 DHL 32/70	3	2650	125	0.55
	2	2520	103	0.48
	1	2030	92	0.45

DIMENSIONS AND WEIGHTS

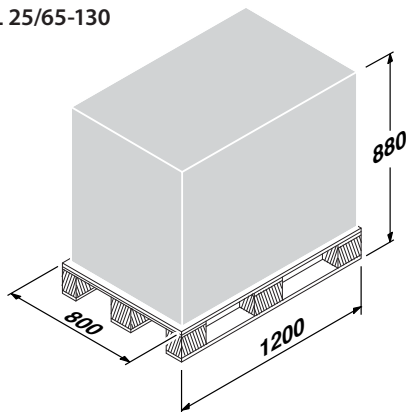


TYPE monofase	PORT DN	DIMENSIONS (mm)									Weight kg	
		a1	a2	a3	a4	b1	b2	b3	c1	c2		c3
DHL 25/35-130	1 1/2"	19.8	74.7	101.5	33.7	76.7	64.1	51.3	68.2	34.1	130	2.7
DHL 25/35-180											180	3.0
DHL 25/55-130											130	2.7
DHL 25/55-180											180	3.0
DHL 25/65-130											130	2.7
DHL 25/65-180											180	3.0
DHL 25/70-180	1 1/2"	19.8	89.9	115.5	33.7	76.7	64.1	51.3	68.2	34.1	180	3.5
DHL 32/70-180	2"										180	3.6

PALLETIZATION

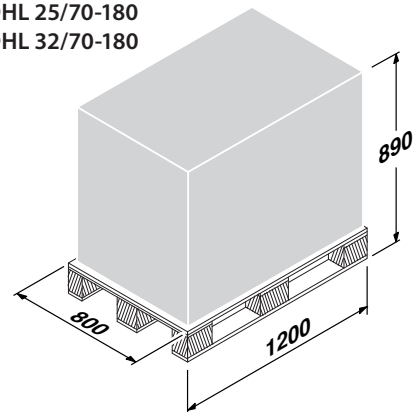
DHL 25/35-130
DHL 25/55-130
DHL 25/65-130

200 unit



DHL 25/35-180
DHL 25/55-180
DHL 25/70-180
DHL 32/70-180

180 unit



Pedrollo S.p.A. – Via Enrico Fermi, 7 – 37047 – San Bonifacio (Verona) ITALY
tel. +390456136311 – fax +390457614663 – sales@pedrollo.com – www.pedrollo.com