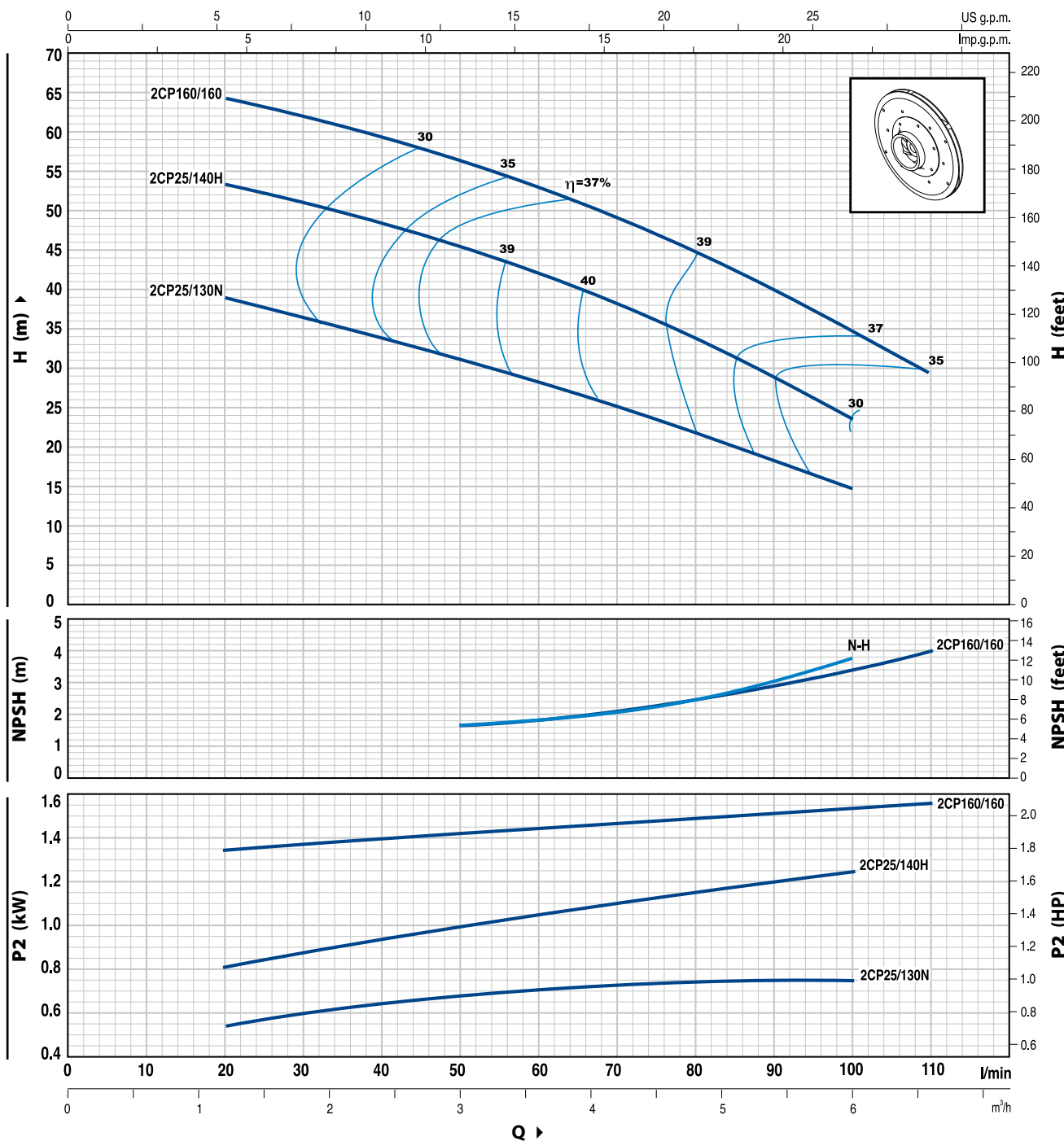


### CURVE E DATI DI PRESTAZIONE / CURVES AND PERFORMANCE DATA

**n= 2900 1/min**



MODELLO TYPE		POTENZA POWER		Q	Flow Rate												
1 ~	3 ~	kW	HP		m³/h	0	1.2	1.8	2.4	3.0	3.6	4.2	4.8	5.4	6.0	6.6	
				l/min	0	20	30	40	50	60	70	80	90	100	110		
2CPm 25/130N	2CP 25/130N	0.75	1	H (m)	42	39	37	34	31	28.5	25.5	22	18	15			
2CPm 25/140H	2CP 25/140H	1.1	1.5		54	53	51	49	46	42	38	34	29	24			
2CPm 160/160	2CP 160/160	1.5	2		66	64	62	60	57	53	49	44	39.5	35	30		

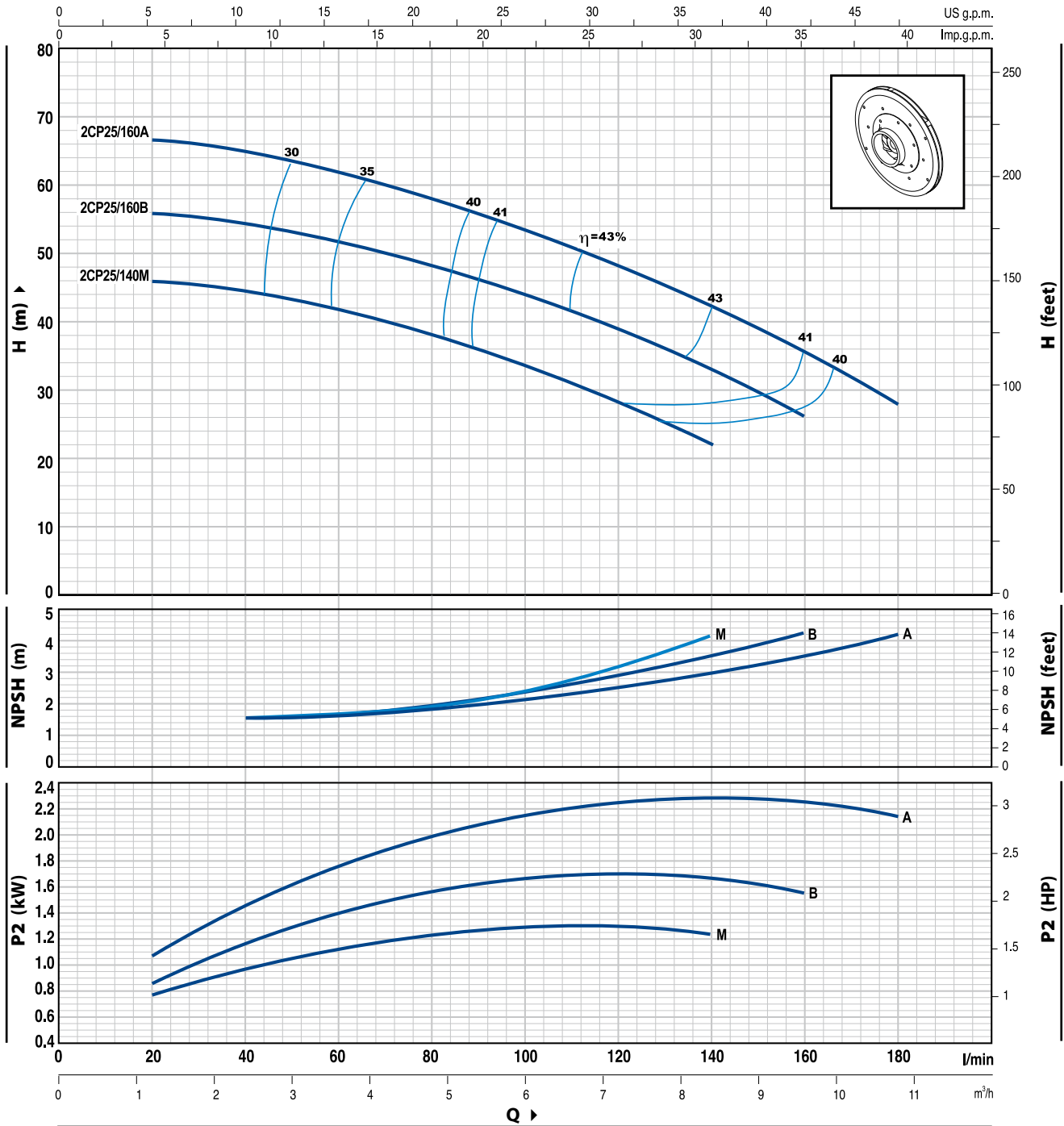
Q = Portata H = Prevalenza manometrica totale  
Q = Flow rate H = Total manometric head

Tolleranza delle curve di prestazione secondo EN ISO 9906 App. A.  
Tolerance of the performance curves according to EN ISO 9906 App. A. App. A.

**VERSIONI CON GIRANTE IN TECNOPOLIMERO 2CPm...X, 2CP...X**  
**VERSIONS WITH TECHNO-POLYMER IMPELLER 2CPm...X, 2CP...X**

### CURVE E DATI DI PRESTAZIONE / CURVES AND PERFORMANCE DATA

**n= 2900 1/min**



MODELLO TYPE		POTENZA POWER		Q	Flow Rate																	
1~	3~	kW	HP		m³/h	0	1.2	1.8	2.4	3.0	3.6	4.2	4.8	5.4	6.0	6.6	7.5	8.4	9.6	10.8		
				l/min	0	20	30	40	50	60	70	80	90	100	110	125	140	160	180			
2CPm 25/140M	2CP 25/140M	1.1	1.5	H (m)	47	46	45.5	44	43	42	41	38	36	34	31	27	22					
2CPm 25/160B	2CP 25/160B	1.5	2		58	56	55	54	53	52	50	48	46	44	41	37	33	26				
—	2CP 25/160A	2.2	3		68	66.5	65.5	65	63	62	60	58	56	54	51	47	42	35	28			

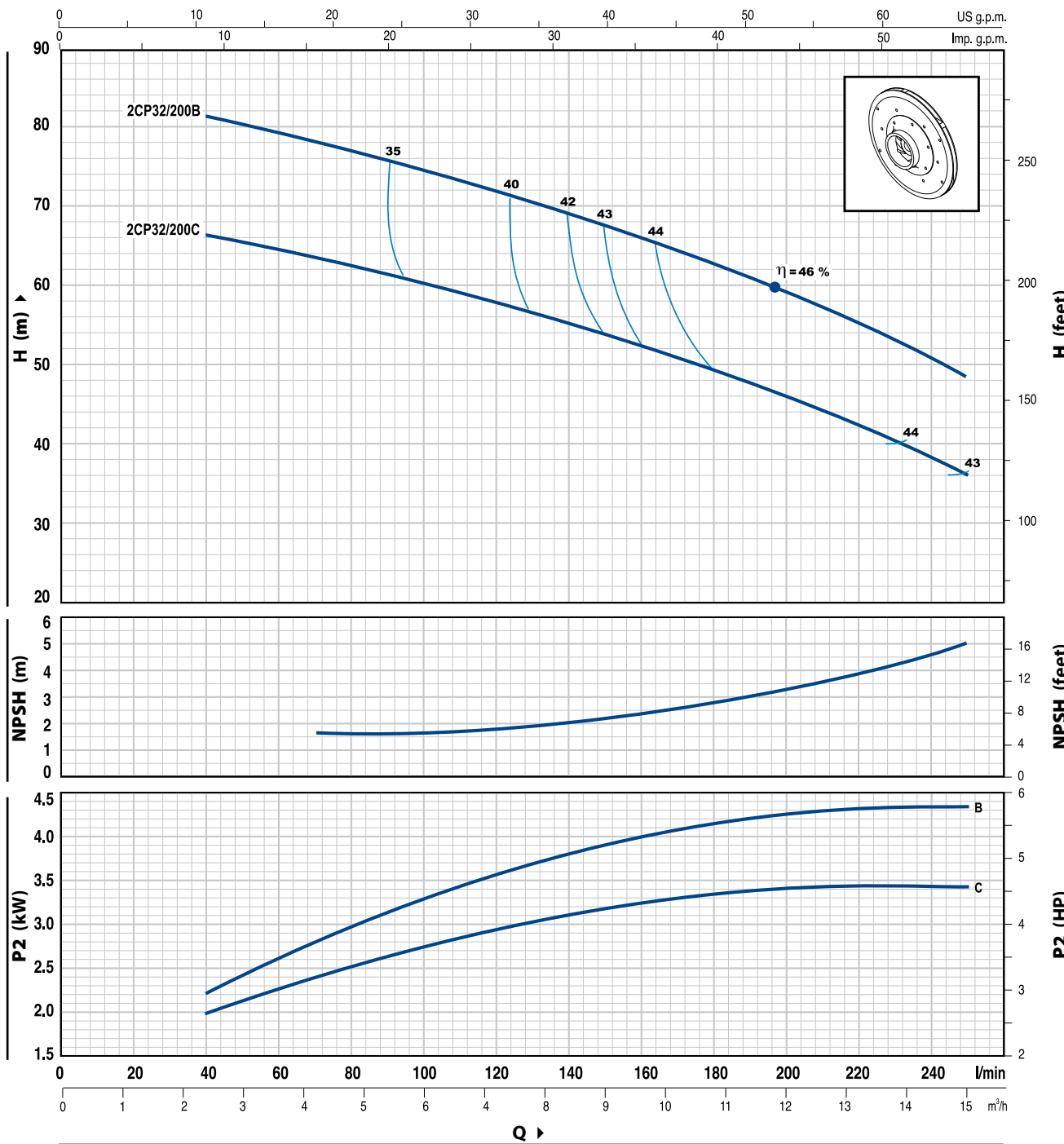
Q = Portata H = Prevalenza manometrica totale  
Q = Flow rate H = Total manometric head

Tolleranza delle curve di prestazione secondo EN ISO 9906 App. A.  
Tolerance of the performance curves according to EN ISO 9906 App. A.

**VERSIONI CON GIRANTE IN TECNOPOLIMERO 2CPm...X, 2CP...X  
VERSIONS WITH TECHNO-POLYMER IMPELLER 2CPm...X, 2CP...X**

### CURVE E DATI DI PRESTAZIONE / CURVES AND PERFORMANCE DATA

**n= 2900 1/min**



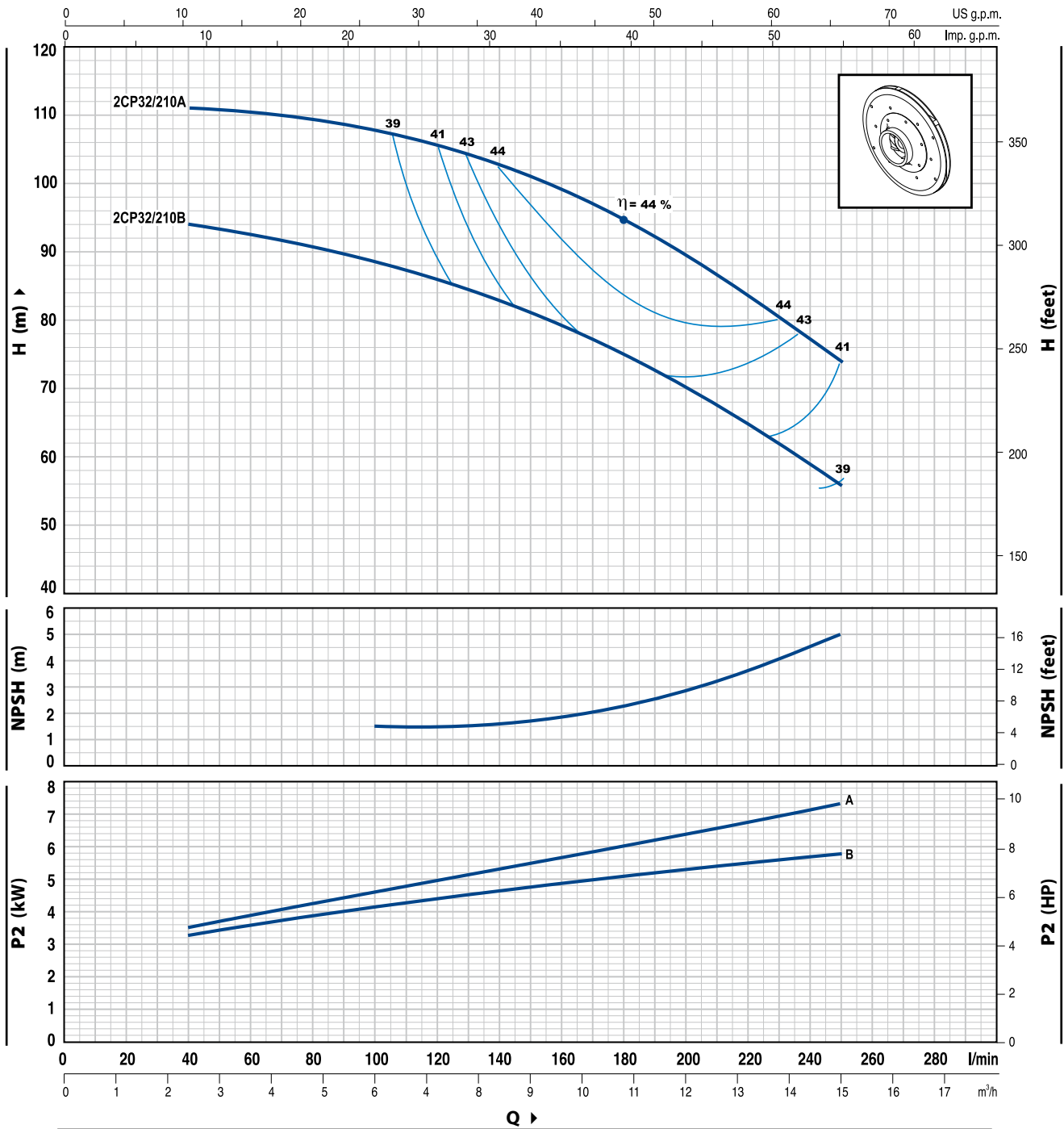
MODELLO TYPE	POTENZA POWER		Q	Q														
	kW	HP		m <sup>3</sup> /h	0	2.4	3.0	3.6	4.2	4.8	5.4	6.0	6.6	7.5	8.4	9.6	10.8	12.0
3~			l/min	0	40	50	60	70	80	90	100	110	125	140	160	180	200	250
2CP 32/200C	3	4	H (m)	70	66.5	65.5	65	64	63	62	60.5	59	57	55	52	49.5	46.5	36
2CP 32/200B	4	5.5	H (m)	85	81	80	79	78	77	76	75	74	72	69	66	62	58	49

Q = Portata H = Prevalenza manometrica totale  
Q = Flow rate H = Total manometric head

Tolleranza delle curve di prestazione secondo EN ISO 9906 App. A.  
Tolerance of the performance curves according to EN ISO 9906 App. A.

### CURVE E DATI DI PRESTAZIONE / CURVES AND PERFORMANCE DATA

n= 2900 1/min



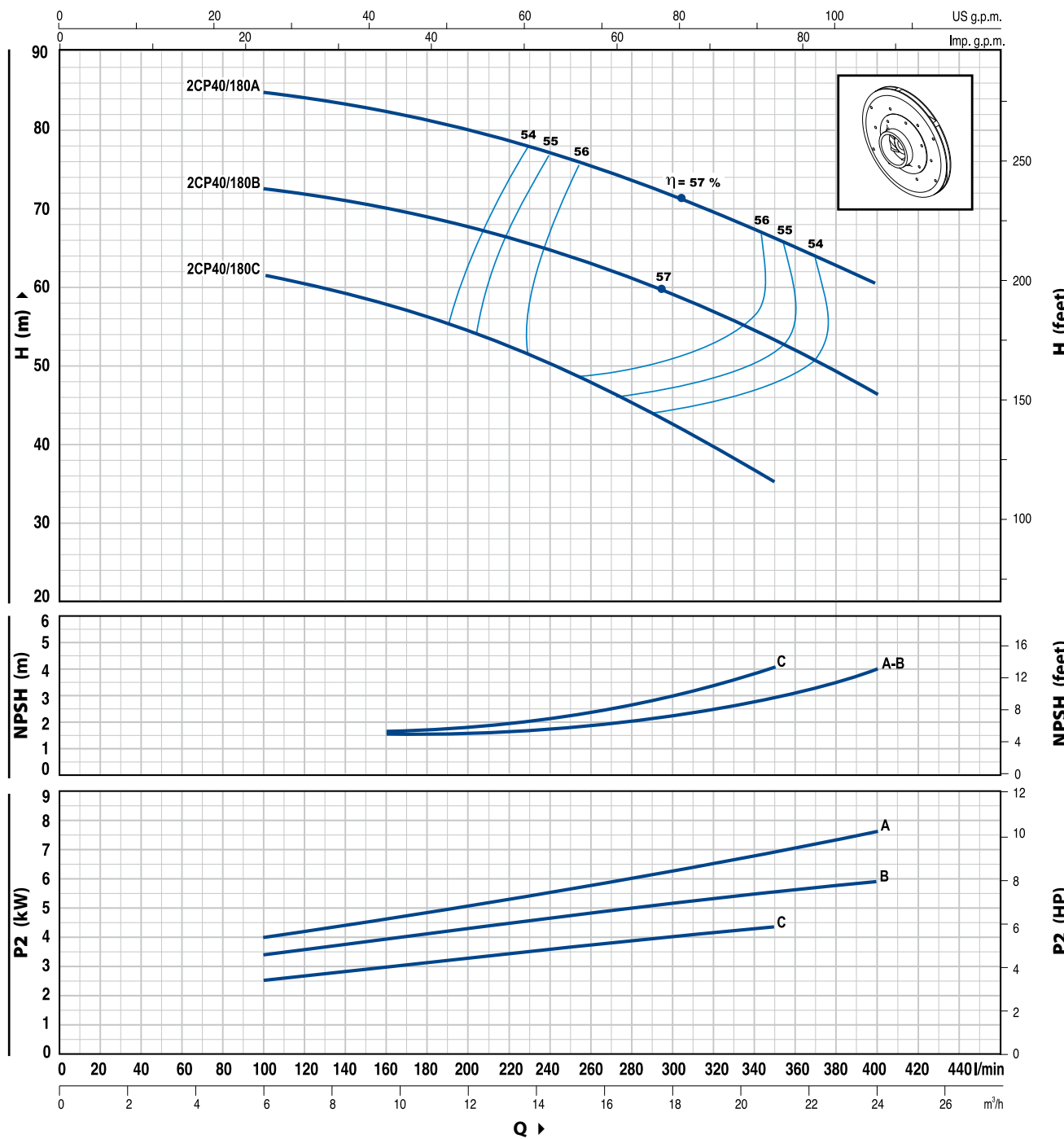
MODELLO TYPE	POTENZA POWER		Q	Flow rate (m³/h)														
	kW	HP		0	2.4	3.0	3.6	4.2	4.8	5.4	6.0	6.6	7.5	8.4	9.6	10.8	12.0	15.0
3~			l/min	0	40	50	60	70	80	90	100	110	125	140	160	180	200	250
2CP 32/210B	5.5	7.5	H (m)	94	94	93.5	93	92	91	90	89	87	85	83	79	75	70	56
2CP 32/210A	7.5	10		112	111	110.8	110.5	110.3	110	109	108	107	105	102	99	94	89	74

Q = Portata H = Prevalenza manometrica totale  
Q = Flow rate H = Total manometric head

Tolleranza delle curve di prestazione secondo EN ISO 9906 App. A.  
Tolerance of the performance curves according to EN ISO 9906 App. A. App. A.

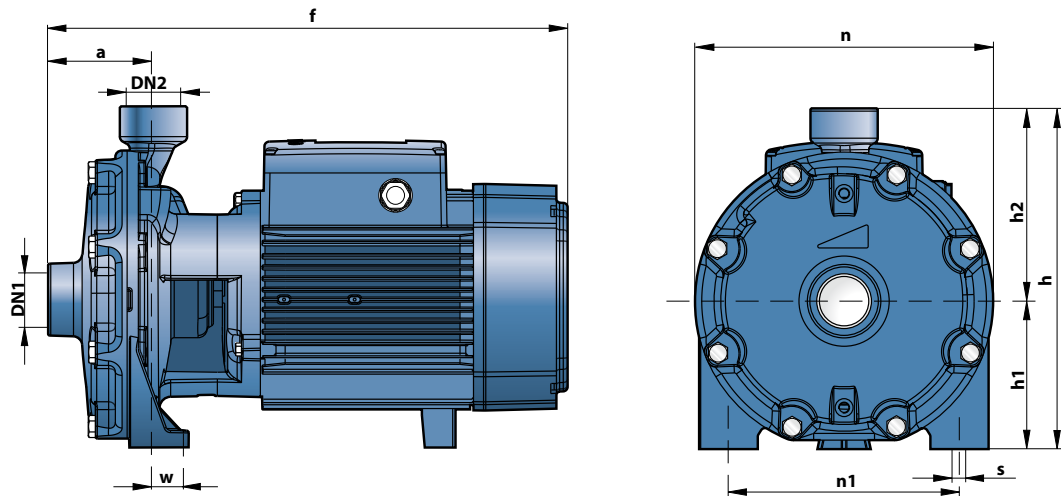
**CURVE E DATI DI PRESTAZIONE / CURVES AND PERFORMANCE DATA**

**n= 2900 1/min**



TIPO	POTENZA		Q	m³/h													
	kW	HP		0	6.0	6.6	7.5	8.4	9.6	10.8	12.0	15.0	18.0	21.0	24.0		
Trifase				0	100	110	125	140	160	180	200	250	300	350	400		
2CP 40/180C	4	5.5	H (m)	64	62	61	60	59	58	56	54.5	49	43	35			
2CP 40/180B	5.5	7.5		76	73	72.5	72	71	70	69	67.5	64	59.5	54	46		
2CP 40/180A	7.5	10		88	85	84.5	84	83	82	81	79.5	76	72	67	60		

**DIMENSIONI E PESI / DIMENSIONS AND WEIGHTS**



TIPO TYPE		BOCCE PORTS		DIMENSIONI mm DIMENSIONS mm										kg	
1~	3~	DN1	DN2	a	f	h	h1	h2	n	n1	w	s	1~	3~	
2CPm 25/140H	2CP 25/140H	1 1/4"	1"	74	382	225	93	132	200	162	23	10	18.9	18.3	
2CPm 160/160	2CP 160/160			84	405	263	110	153	225	185	26	11	24.5	23.3	
2CPm 25/140M	2CP 25/140M	1 1/2"	1"	74	382	225	93	132	200	162	23	10	18.9	18.3	
2CPm 25/160B	2CP 25/160B			86	407	263	110	153	225	185	26	11	24.3	23.2	
—	2CP 25/160A	1 1/4"	1"	—	—	—	—	—	—	—	—	—	—	24.5	
—	2CP 32/200C			95	464	304	132	172	266	206	19	—	—	38.0	
—	2CP 32/200B	1 1/4"	1"	—	—	—	—	—	—	—	—	—	—	43.0	
—	2CP 32/210B			—	—	—	—	—	—	—	—	—	—	—	54.0
—	2CP 32/210A	2"	1 1/2"	—	542	—	—	—	—	—	—	14	—	61.0	
—	2CP 40/180C			108	496	334	139	195	292	232	21	—	—	49.0	
—	2CP 40/180B	1 1/2"	1"	—	542	—	—	—	—	—	—	—	—	54.0	
—	2CP 40/180A			—	—	—	—	—	—	—	—	—	—	—	60.0

- Corpo pompa: ghisa
- (\*) Giranti: acciaio inox AISI 304
- Giranti: ottone

**Le elettropompe da 4 a 7.5 kW sono equipaggiate con motori ad ALTO RENDIMENTO in classe EFF1**

- Pump body: cast iron
- (\*) Impellers: AISI 304 stainless steel
- Impellers: brass

**The pumps within the 4 to 7.5 kW range are fitted with EFF1 class HIGH EFFICIENCY motors**